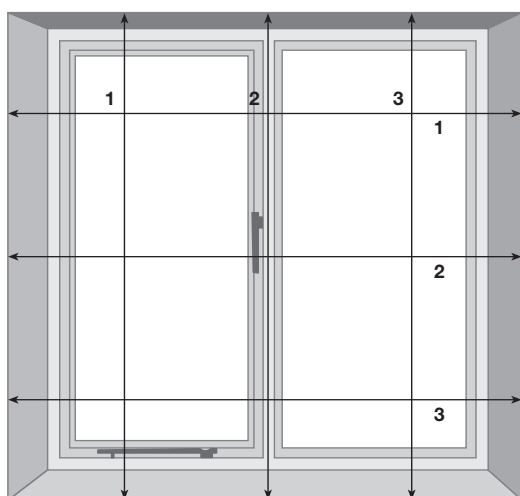


roller blinds

measuring instructions

For accurate measurements please use a metal tape measure, and take measurements in centimetres, to the nearest 0.1cm.

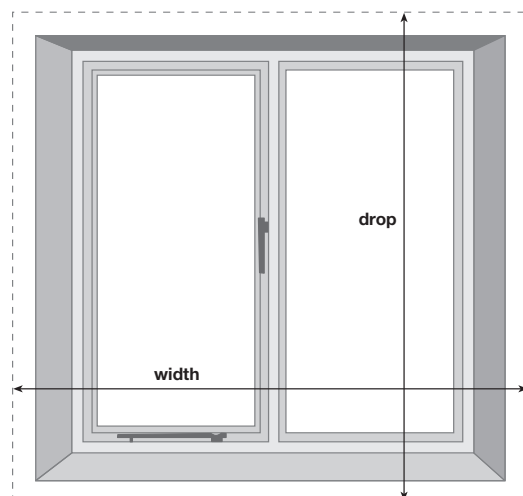
- All of our blinds can be fixed into the face of the window frame or wall, or into the top of the lintel - allowing you total control of the depth your blind can be positioned in the depth of your window recess.
- Choose whether you want the blinds to hang inside or outside the window recess.
- Please check for the proximity of adjacent walls, furniture, window handles etc. when measuring for your blinds.



Recess

For blinds to hang inside the window recess:

Measure the drop by taking the measurement from the top of the recess to the window sill, in three places as shown. Measure the width of the window recess from wall to wall, in three places as shown. Take the smallest measurement. We will make all adjustments to ensure your blinds fit perfectly.



Exact

For blinds to hang outside the window recess: Measure the exact area you would like the blind to cover as shown.

Please note the actual width of roller blind fabric will be your measurement less 3.4cm (exact) and 3.9cm (recess).

aftercare

Look after your blinds by following the straightforward operating instructions below.

Operating Instructions

- The side chain operates the height of the blind.
- Pull the chain nearest to you to move the blind down.
- Pull the chain furthest away from you to move the blind up.

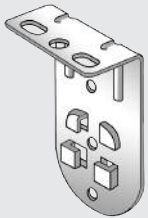
Your local supplier:

NB: The manufacturer will not accept responsibility for damage to blinds caused by misuse. Fitting items may vary depending upon type of fitting requested.

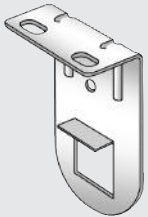
roller blinds

fittings

1 Brackets: 2

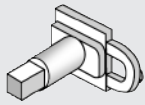


Idle End Pin Bracket



Chain End Bracket

2 Plastic Inserts: 1



Idle End Pin

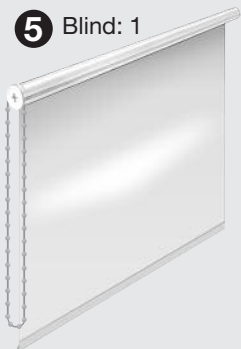
3 Wood Screws: 4



4 Screws: 4 Rawl Plugs: 4



5 Blind: 1



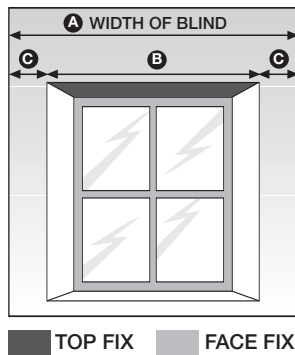
fitting instructions

Outside Recess

If fitting the blind outside the window, measurements (C) will need to be the same. To work out (C), simply minus (B) from (A) and divide the answer by two. Follow instructions for FACE FIXING

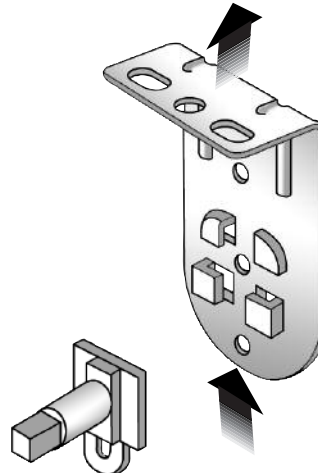
Inside recess

Decide whether to FACE or TOP FIX. FACE FIX to fit the bracket to the window frame. TOP FIX to the lintel if the window frame is upvc, or if there are any obstructions, e.g. window handles.



step one

Slide idle end pin upwards between the teeth of the bracket until it clicks into place.

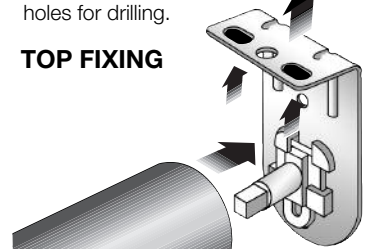


step two

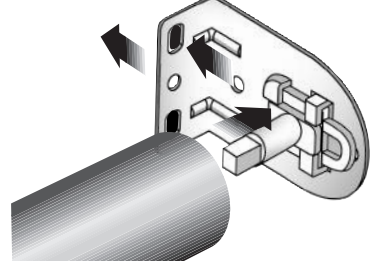
Press brackets into the corresponding ends of the blind, offer the blind into the fixing position.

Now mark the position of holes for drilling.

TOP FIXING



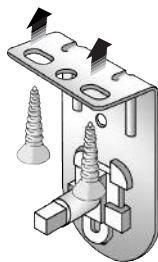
FACE FIXING



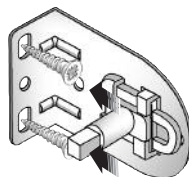
step three

Drill the two holes per bracket where marked and screw brackets into position.

TOP FIXING



FACE FIXING

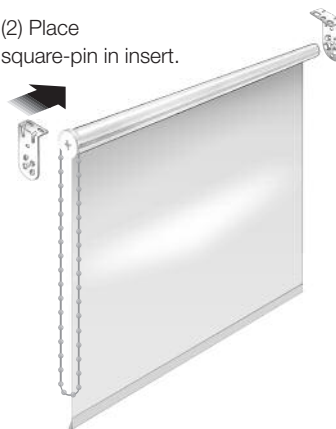


step four

Remove the plastic end pin from the bracket and place it in the end of blind. Then insert into the bracket. (1)

(1) Slide idle end pin into bracket.

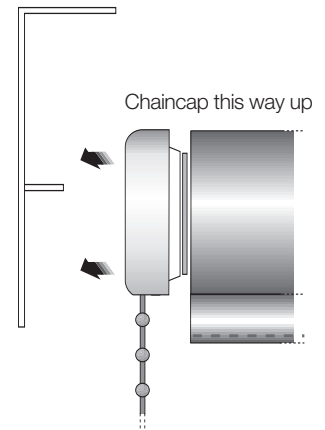
(2) Place square-pin in insert.



step five

Holding the fully-wound blind, position chain cap as shown and press into the corresponding bracket. (2)

Gently pull the chain to raise and lower the blind.



step six

WARNING

IN THE INTEREST OF SAFETY, IT IS ADVISABLE TO KEEP ALL PULL CORDS AND CHAIN/BEAD CORDS OUT OF THE REACH OF CHILDREN.